

 **SPATOILET®**

USERS GUIDE

DIAMOND

Preparation

Installation

Operation

Maintenance
& Cleaning



This user's guide contains the product warranty certificate.

Be sure to read this user's guide carefully before use.

■ **220V ~ 240V, 50Hz**  

 **SPATOILET®**



DIAMOND . . .

**THIS UNIT WAS MANUFACTURED FOR HOUSEHOLD USE ONLY.
READ ALL OPERATING INSTRUCTIONS BEFORE INSTALLATION.**

Notes

1. This product should be installed according to this manual.
2. Please read this manual carefully and install properly.
3. Please save this manual and place an easily accessible location.
4. Do not attempt to service this appliance yourself. Doing so could void warranty.

CONTENTS

1. Safety Instruction	4
2. Product Characteristic	8
3. Designation of Each Component	9
4. Installation	11
5. Trial Operation	15
6. Disassembly of Product	16
7. How to Use the Product	18
8. User Setting Facilities	22
9. Maintenance & Cleaning	24
10. Before requesting repair	26
11. Product Specifications	27
12. Comparison Chart	28
13. Warranty Information	29

Preparation

Installation

Operation

Maintenance
& Cleaning

01. Safety Instruction

● Each symbol refers to the followings:



Warning

Risk of death or lethal damage when violating the instructions



Caution

Risk of injury or material damage when violating the instructions

● Each pictorial indication means the followings:



means prohibition



Disassembly is not allowed



Don't touch with wet hand



Use of fire prohibited



Don't spray water



General prohibition



means obligation



Obligatory Instruction



Grounding Connection

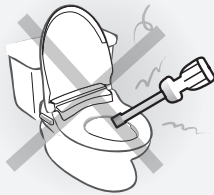


Warning



Disassembly, modification or repair is not allowed.

► Risk of electric shock or fire.



Don't plug or touch the power cord with wet hands.

► Risk of electric shock.



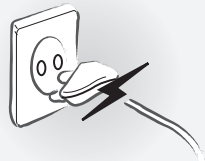
Don't spray water on the main body of product or power plug.

► Risk of electric shock or fire



Don't use the damaged power cord or outlet.

► Risk of electric shock or fire



Warning



Don't fail to do grounding.

- ▶ Always use the outlet that encloses the earth electrode. (Earth terminal mounting outlet-check if there is earth or not).
- ▶ In case there is no earth electrode, do grounding separately.
- ▶ When it is not grounded, it causes the failure and electric shock.

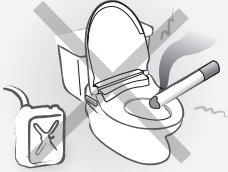


Insert the power plug correctly in 220~240V exclusive outlet.

- ▶ Risk of heat or fire.

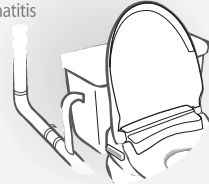


Don't locate the cigarette or flammable materials near the product; Don't throw the cigarette into the product.

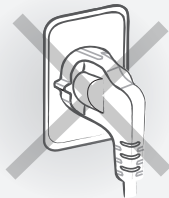


Don't connect the product to the water pipe of industrial use.

- ▶ Risk of causing dermatitis of user.



Don't connect power to the product before its complete installation on the toilet.



When the power cord or plug is damaged, always inform the service center, and replace if required.



Don't block the hot air hole nor put any object or hand on the hole.

- ▶ Risk of burn or electric shock. (DIB-1300, 1500 only)



When removing the product from toilet, always release the power plug first.

- ▶ Risk of electric shock.



01. Safety Instruction

⚠ Caution



Don't stand on the product ; don't put heavy object on it.

▶ Risk of injury or damage to the product.



Don't force to close the cover of toilet.

▶ Risk of failure.



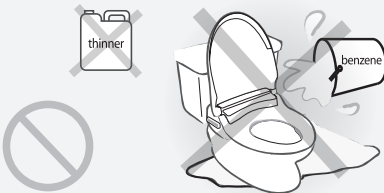
Don't force to lean against the cover of toilet.

▶ Risk of failure.



When cleaning, don't use toilet-use detergent, benzene, thinner, etc.

▶ Risk of damage to the product or crack.



Don't bend the connecting hose ; don't force to pull it out.

▶ It may cause stoppage of water supply or leakage.



Be cautious low temperature burn.

▶ When the skin has been in contact with a seat for a long time, it may cause low temperature burn. The seat temperature should be set on Low or off when the unit is used for children, elderly persons, persons who cannot control the temperature by themselves.

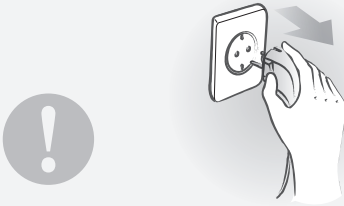


⚠ Caution



When the product is not used an extended period of time, remove the power plug and drain the water out of the product tank.

- ▶ It may cause the water rotten and result the skin disease.



Don't use with the product out of order.

- ▶ When it is out of order, remove the plug from the outlet and inform the service center.
- ▶ Otherwise, it may cause fire or electric shock.



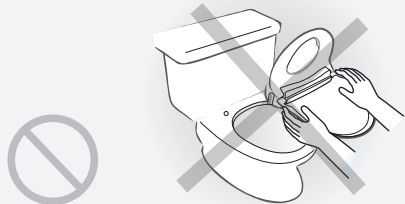
When installing, push it in until it sounds 'Click'.

- ▶ It may cause water leakage or mal-operation.



Don't place the removed product upside down.

- ▶ Risk of the product failure.



02. Product Characteristic

bidet has the following characteristics:

● Continuous Warm Water Supply

Enjoy continuous warm water throughout the wash cycle.



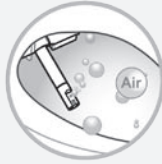
● Enema Wash

Soft but powerful water wash for added cleansing benefit.



● Bubble Wash

Aerated water wash adds cleaning comfort.



● Massage

Nozzle moves back and forth for massage effect.



● Pulse

Pulsating wash repeatedly cycles from weak to strong.



● Deodorization Function

Semi-fundamental deodorizing filter provides odor-free during use.



● Energy Saving Function

It finds out the time frame when used frequently, realizing the maximum energy saving effect.



● Child Settings

Specialized nozzle position and water pressure for children.



● Remote Control Unit

Convenient wide LCD remote control provides easy user interface.

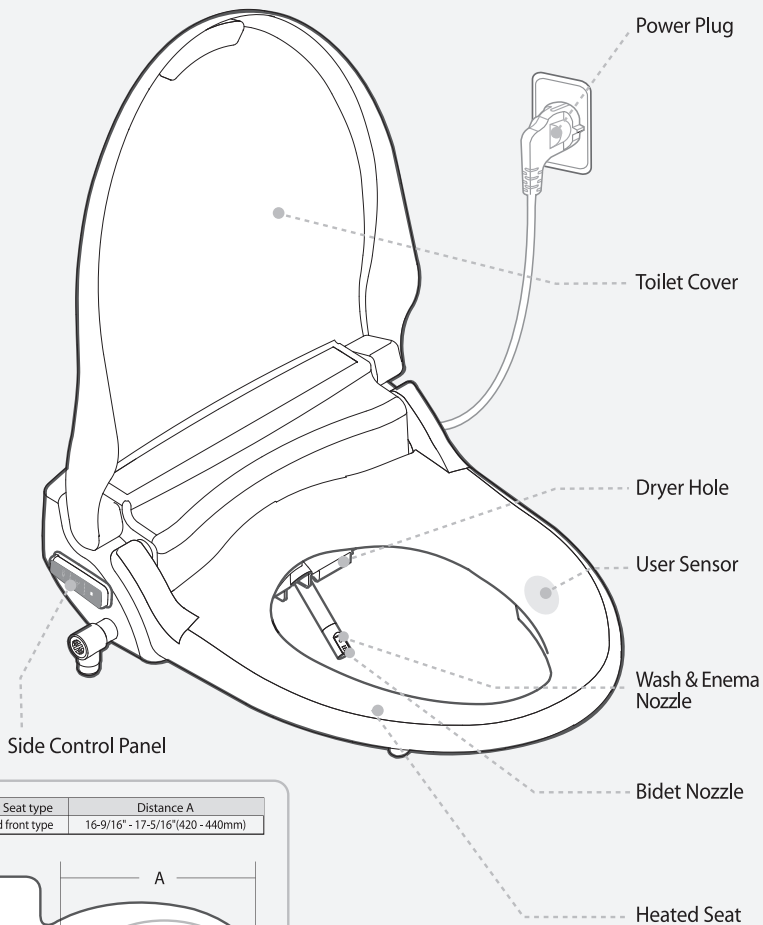


● User Preset

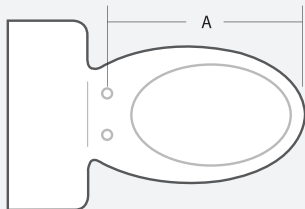
User can preset and store the memory for control setting.

03. Designation of Each Component

Main Body



Toilet Seat type	Distance A
Round front type	16-9/16" - 17-5/16"(420 - 440mm)



03. Designation of Each Component

Operation Panel

WASH

To run the wash function (2 minutes)

BIDET

To run the bidet function (2 minutes)

ENEMA WASH

To run the Enema wash (2 minutes)

DRY

To run the dry function (3 minutes)

PULSE

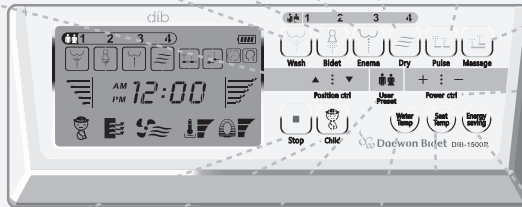
To run the Pulse function during Wash/Bidet/Enema Wash. Water pressure is rhythmically changed from strong to weak.

MESSAGE

To run the Massage (oscillating) during Wash/Bidet. (Not in Enema wash mode) Nozzle moves back and forth automatically. Press it again to stop the function.

NOZZLE CONTROL

To control the nozzle position



POWER CONTROL

Water pressure and dry temp can be adjusted by pressing H/L/O.

STOP

To stop all functions.

CHILD

children safety mode.

USER PRESET

User can preset and store the memory for control setting

WATER TEMP

To adjust the water temp. by 4 steps (Room temp/ 34°C/36°C/38°C)

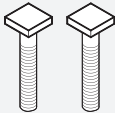
SEAT TEMP

To adjust the seat temp. by 4 steps (Room temp/ 34°C/38°C/42°C)

ENERGY SAVING

Automatic mode
Learning energy saving mode
Releasing energy saving mode

Accessories



Bolts



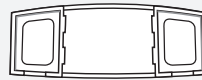
Nuts



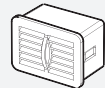
Rubber pads



Bracket holders



Bracket



Deodorizing cartridge



T-valve



Remote control



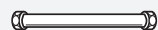
Remote control holder



AA size batteries (2pcs)



Water feed hose (for toilet)



Water feed hose (for bidet)

04. Installation

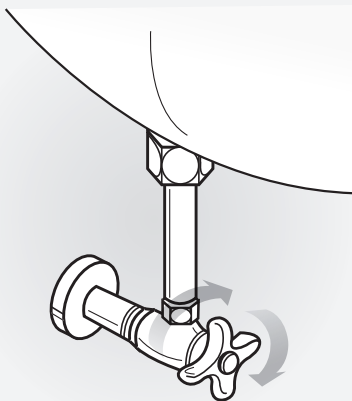
Order of Installation

1 Remove the seat from the existing toilet body.

- ▶ Release the nuts, and then remove the seat and cover from it.
- ▶ Keep the removed seat, cover and nuts well in a proper place.

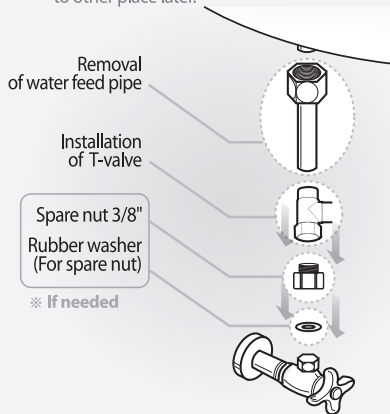


2 Close the water feed valve by turning it clockwise, and then drain the toilet water tank out.

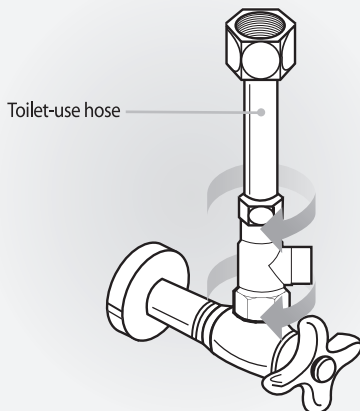


3 Remove the water feed pipe and then install T-valve.

- ▶ Keep the removed water feed pipe well in a proper place. It may be useful when moving house to other place later.

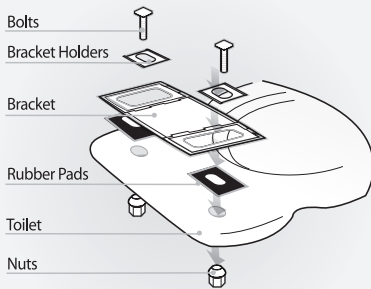


4 Connect the toilet-use hose.



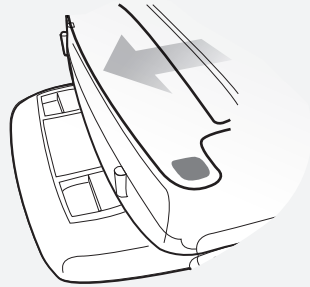
04. Installation

5 Fix the bracket onto the toilet first.



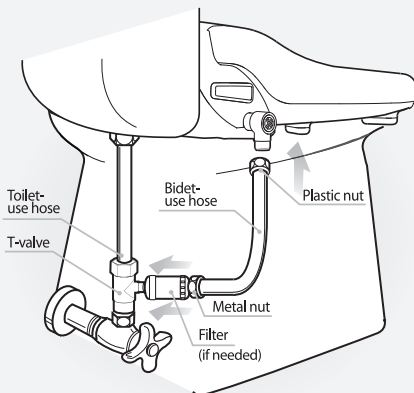
▶ Adjust the seat and the front part of toilet back and forth so that they can correspond with before fastening the nuts.

6 Push the main body toward the bracket completely.

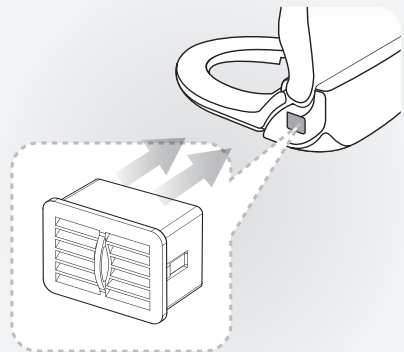


▶ Push it in until it sounds 'click'.
▶ When the product is not installed well, it may cause leakage.

7 After install the filter onto the T-valve, connect the bidet-use hose to the bidet body.

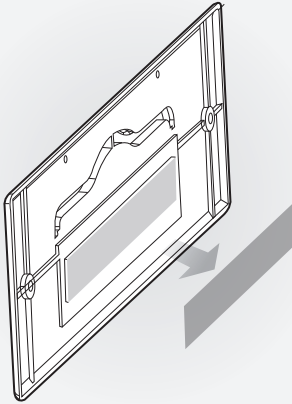


8 Insert the deodorizing cartridge into the bidet body.

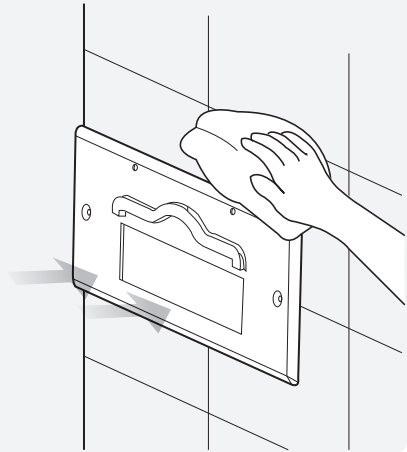


Remote control installation & batteries insertion

- 1 Remove the adhesive protection to attach the remote control bracket.

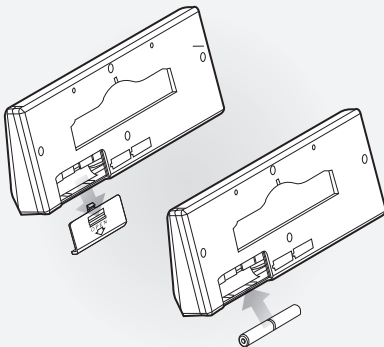


- 2 Clean the place thoroughly to attach the bracket.

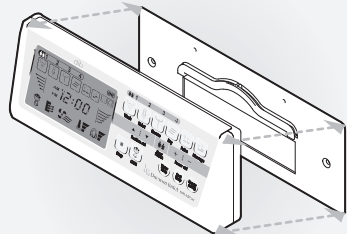


- 3 Remove the back cover and place supplied batteries with correct direction. Close the back cover.

※ **Caution**
Failure to install the batteries properly could cause damage or failure of the remote control unit.



- 4 Place the remote control in the bracket with correct direction. When placing it, take care to hang it on the bracket completely. Failure of placing could cause the remote control falling down.

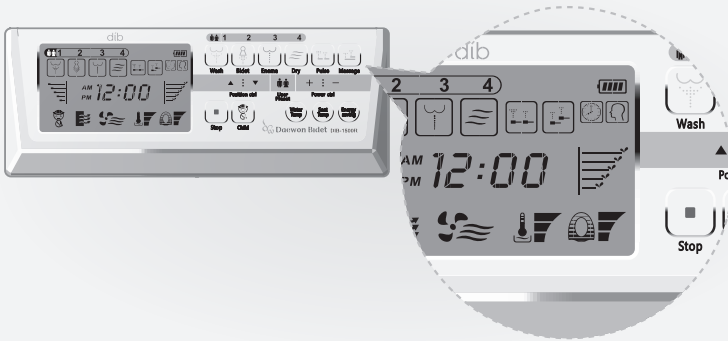


04. Installation

- 5 When the batteries have reached the end of service life, the battery lamp will blink . Replace the batteries with new ones, AA size X 2pcs .

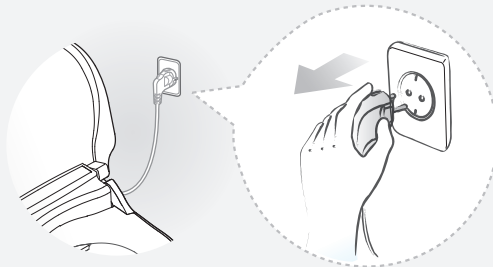
※ **Caution**

Do not use old and new batteries together.
This could cause damage or failure of the remote control.



- 6 If the unit does not work after replacing the batteries, unplug and wait for 3 seconds. Plug in again, and the unit will be ready for use.

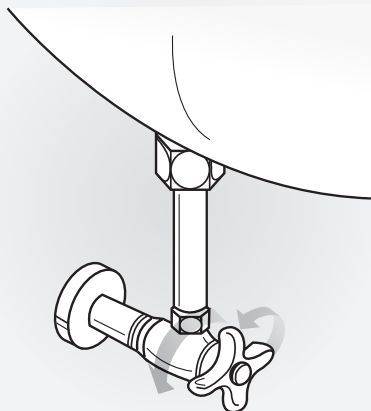
- ※ After replacing the batteries, ID of the unit will be initialized as "00" (factory initialization ID), and its ID will be equalized ID of the remote control that reaches the unit first.
This ID assigning function will be needed to prevent signal interruption if more than 2 units are used at one place. In case of using one unit only, user can use the unit accordingly without setting.
- ※ If you want to change the ID, please refer to the page 22. for "Remote Control ID Setting"



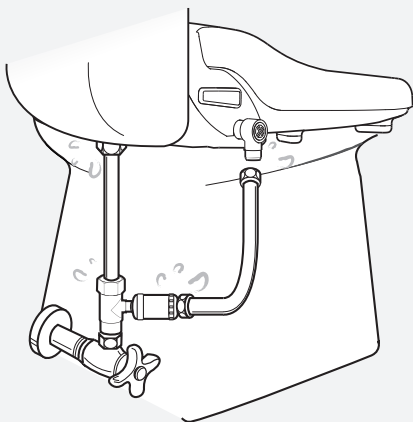
05. Trial Operation

Order of Trial Operation

- 1 Open the water feed valve by turning it anti-clockwise.

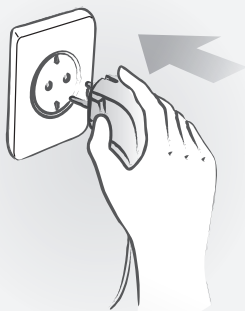


- 2 Be sure of no leakage around the hose connection.

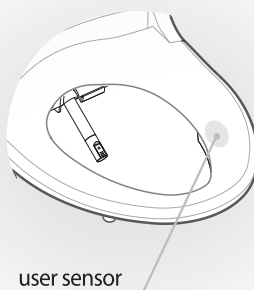


- 3 Be sure that logo light on the top turns on and nozzle comes and retracts when powered on.

▶ Don't plug the power cord with wet hands.
Risk of electric shock.



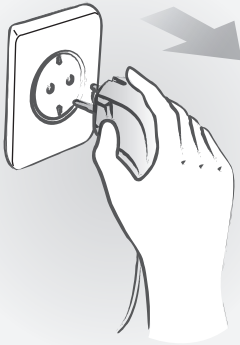
- 4 Put the hand on the user sensor part of the seat, check if lights of water pressure gradually turns on, and water comes out from drain hole for 1~2 seconds.



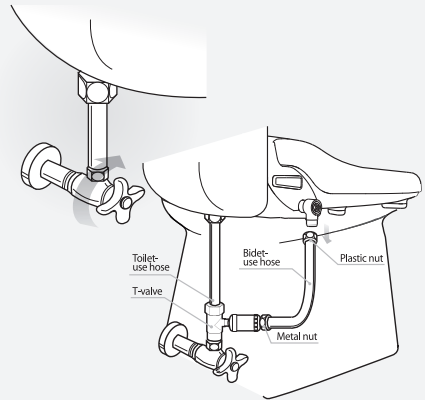
06. Disassembly of Product

Order of Disassembly

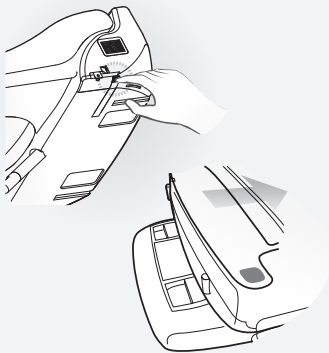
- 1 Remove the power plug from the outlet.



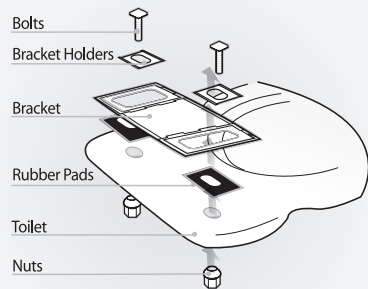
- 2 Close the water feed valve by turning it clockwise, completely drain out the toilet water tank, release the nuts at bidet body of the bidet hose, and then remove them from main body.



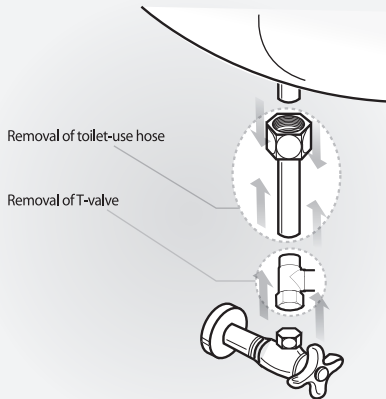
- 3 Press the button on the side of bidet, completely drain the water out of the of the main body. While keep on pressing the button, pull the main body forward, and then remove it from the toilet.



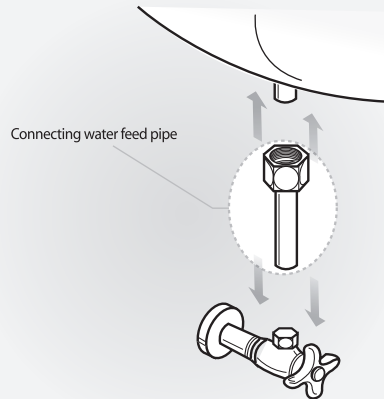
- 4 Release the nuts, and then remove the brackets from the toilet.



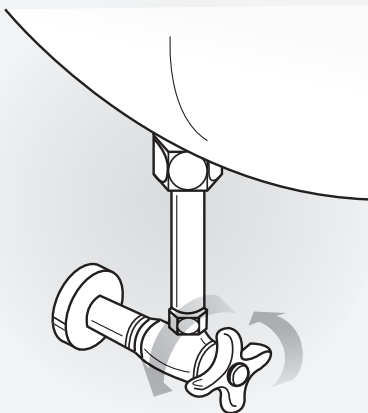
- 5 Remove bidet hose, toilet-use hose and T-valve.



- 6 Connect the water feed pipe that was removed when the bidet was installed.



- 7 Open the water feed valve by turning it anti-clockwise. Be sure of no leakage around the water feed connection.



- 8 Attach to the toilet the seat and cover that were removed when the bidet was installed.

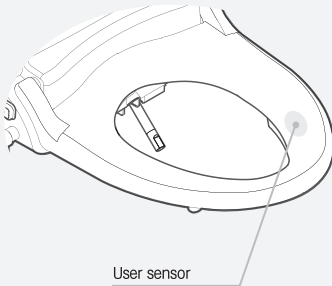


07. How to Use the Product

Basic Operation Method

1 Sit on the toilet seat.

- ▶ Deodorization function starts automatically.
- ▶ When sitting on the toilet seat, be seated so the user sensor to be occupied. (Otherwise, it may not normally operate due to detection problem)



2 Press WASH, BIDET, ENEMA WASH buttons.

- ▶ Selected function can be used as desired. (When selecting Enema Wash function, MASSAGE function cannot be used.) (When selecting Child function, Enema Wash function may not operate)
- ▶ dib's specialized water spray in Enema Wash function enters into the rectum, and then help relieve constipation and fecal stasis.



Wash



Bidet



Enema

3 Press the DRY Button.

- ▶ Hot air indicator lamp will lights on. (5 levels available)
- ▶ Selected function may be used for three (3) minutes.
- ▶ Drying effect will be improved if you wipe the moisture lightly before operating the drying function.



Dry

4 Press the STOP Button.

- ▶ Selected functions stop.
- ▶ Press "STOP" on the side control panel for 3 seconds to turn off the unit.



Stop

5 MESSAGE Wash

- ▶ When pressing the MESSAGE button during the operation of WASH and BIDET, nozzle location will be changed back and forth to wash the wider range.
- ▶ When pressing the CHILD button during the operation of MESSAGE, the moving distance can be adjusted within 5 steps.
- ▶ MESSAGE function will not operate during the operation of ENEMA WASH.



Message

6 PULSE Wash

- ▶ When the pressing PULSE button during the operation of WASH, BIDET and ENEMA WASH, water pressure will repeat HIGH/LOW level for smooth pulsating wash.



Pulse

7 Water Pressure Control

- ▶ Pressing HIGH/LOW button enables the control of water pressure.
- ▶ When any foreign material blocks the water pipe filter, it may cause the low water pressure. Regularly check it for its stable use.



Power ctrl

8 Nozzle Position Control

- ▶ During the operation of WASH, BIDET and ENEMA WASH, Nozzle position can be controlled by pressing FR/BK.



Position ctrl



1. After enema wash, eliminate the water from your rectum completely.
2. If the concentrated water stream is not pointing at the center of posterior, it may bring some pain or water splashes abnormally.
3. If the anal disease patient uses enema function, it may bring some pain or bleeding for the first several times.
4. Excessive use of enema wash may aggravate constipation.

07. How to Use the Product

Basic Operation Method

9 CHILD Function

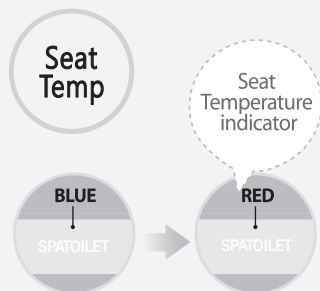
- ▶ When used by a child, press the CHILD button first (CHILD function lamp behind the operation panel will light on), use the WASH and BIDET function, and then nozzle will move forward and the water pressure will be weakened.
- ▶ Nozzle position and water pressure can be adjusted within 5 steps as desired.
- ▶ When selecting CHILD function, control range of seat temperature will be dropped to the room temperature, 34°C/36°C/38°C
- ▶ Enema Wash function will not operate during the operation of CHILD function.



Child

10 Seat Temperature Control

- ▶ When pressing the SEAT TEMP.CONTROL button, the temperature of seat can be controlled within the range of room temperature, 34°C/38°C/42°C
- ▶ If the seat temperature reaches 34°C or more, the seat temperature indicator turns in RED. If not (under 33°C), it remains in BLUE.



11 WATER TEMP CONTROL

- ▶ When pressing the WATER TEMP.CONTROL button, the temperature of water can be controlled within the range of room temperature, 34°C/36°C/38°C

Water
Temp

12 ENERGY SAVING Function

- ▶ Automatic Energy Saving Function
 - # When pressing the button once, it enters into automatic energy saving mode
 - # Seat temperature will be kept at 32°C.
 - # When sitting on the seat to use bidet, it turns to the pre-designated temperature; When getting out of the seat, it returns to the automatic energy saving mode.
- ▶ Learn Energy Saving Function
 - # When pressing the button twice, it enters into the learn energy saving mode.
 - # Learn energy saving enables MICOM to detect the time frame used by the users. It release the energy saving function at the higher-frequency time frame to set the temperature of seat at the pre-designated level, while setting it at 32°C when the using frequency is lower, enabling the excellent energy saving effect.
 - # When using it at the lower frequency time frame, the preset temperature will increase during the time the user sits on the seat.
- ▶ When pressing the button three times, the energy saving mode will be released.
- * This product adopts the rapid water-heating method, and therefore doesn't consume the unnecessary power to operate the heater for the purpose of keeping the water temperature, it means its power consumption is far less than the bidet of other suppliers.

13 Deodorizing function

- ▶ When sitting on the seat, automatically the deodorizing function starts.
- ▶ Speed of deodorizing fan can be controlled. (refer to the User setting facilities, P.22)
- ▶ After the usage of bidet, the deodorizing function will operate for one (1) minute.

14 Nozzle Cleaning

- ▶ Press the Wash button on the side control panel for 3 seconds, and then the nozzle will move forward and stop (for 2 minutes)
- ▶ When pressing STOP button, the nozzle will return and operate self-cleaning operation.

Longer than
3 seconds



15 User Preset

- ▶ Initial nozzle position, water pressure, dry/water/seat temperature can be preset and stored for 4 users.

Presetting

- 1) Adjust nozzle position, water pressure, dry/water/seat temperature for your comfort.



- 2) Press "User preset" for 3 seconds, and numbers 1,2,3,4 will blink. (occupied number(s) will not blink)



User
Preset



Ex 1) 1 2 3 4 All numbers are blinking

Ex 2) 1 2 3 4 Number 1 is occupied

For 3 seconds!

- 3) Each Wash /Bidet/Enema/Dry replaces 1/2/3/4 in User preset mode. Press the number for storing the memory (previous memory will be deleted if new memory stored)



- 4) Press "User Preset" again to store the memory and numbers and icon of user preset will be disappeared.

Using User preset

- 1) To use User Preset Function, press "User preset" and one of numbers consecutively. All settings will be set as it is stored before.



User
Preset








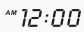



















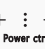



Press the number to call up the memory

- 2) After calling up the preset, use function(s) (Wash, Bidet, Enema, Dry).
- 3) To release the user preset function, press "User Preset" again.

08. User Setting Facilities

8-1. User setting with the remote control

● : Seat Switch 'Off' Status ○ : Seat Switch 'On' Status ● : Regardless of On/Off

No	Function	Seat Status	Switch Operation	Description	Initial Status																										
1	Time setting	○	  Press both "STOP" and "CHILD" button for 3 seconds  Change the mode (hour/minute) by pressing "Nozzle position"  Set the time by pressing "Power control"	 If the numbers blink, time setting is available.																											
	Release the time setting mode	○	 Press "STOP" to finish the time setting																												
2	Selecting the speed of deodorizing fan	○	  While pressing the "STOP", press "ENERGY SAVING" for longer than 3 sec.	<table border="1"> <thead> <tr> <th rowspan="2">Stop + Energy saving</th> <th colspan="2">Fan speed</th> <th rowspan="2">Display on LCD</th> </tr> <tr> <th>Occupied</th> <th>Unoccupied</th> </tr> </thead> <tbody> <tr> <td>Default</td> <td>High</td> <td>High</td> <td></td> </tr> <tr> <td>3 sec</td> <td>Off</td> <td>Off</td> <td></td> </tr> <tr> <td>5sec</td> <td>Low</td> <td>Low</td> <td></td> </tr> <tr> <td>7 sec</td> <td>Low</td> <td>High</td> <td></td> </tr> <tr> <td>9 sec</td> <td>High</td> <td>High</td> <td></td> </tr> </tbody> </table>	Stop + Energy saving	Fan speed		Display on LCD	Occupied	Unoccupied	Default	High	High		3 sec	Off	Off		5sec	Low	Low		7 sec	Low	High		9 sec	High	High		High speed in occupied mode. High speed in unoccupied mode.
Stop + Energy saving	Fan speed		Display on LCD																												
	Occupied	Unoccupied																													
Default	High	High																													
3 sec	Off	Off																													
5sec	Low	Low																													
7 sec	Low	High																													
9 sec	High	High																													
Remote control ID setting	○	 Press "MESSAGE" for longer than 5 sec.   Change the ID by pressing "+" or "-", and press "STOP" to set the ID	 ID can be chosen from 00 ~ 99. If main unit is powered off and on again, ID of main unit will be reset as 00. Before use, synchronize the IDs of main unit and remote control. Default ID is 00.																												
Remote control ID change	○	If batteries of remote control changed, set the ID again as it is shown above.			If batteries changed or ID changed (not 00), plug out the main unit for longer than 3 sec and plug in again. Main unit ID will be synchronized with ID of remote control automatically.																										

Tip. If washing time is set at 3 minutes or longer, sitz bathing will be possible.

8-2. Extra functions with side control panel

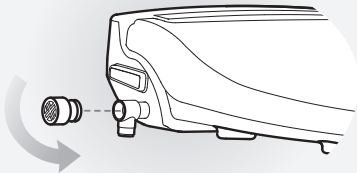
● : Seat Switch 'Off' Status ○ : Seat Switch 'On' Status ◐ : Regardless of On/Off

No	Function	Seat Status	Switch Operation	Description
1	Nozzle cleaning	●	Press "WASH" for longer than 3 sec.	Nozzle will move forward for cleaning.
			Press "STOP"	Nozzle will retract and clean itself.
2	Power off	●	Press "STOP" for 3 sec.	Press one of "STOP", "WASH", or "BIDET" to power on.
3	Initialization	●	Press "STOP" for longer than 5 sec.	All setting will be initialized.

09. Maintenance & Cleaning

Cleaning of Water pipe filter

- 1 Close the water feed valve by turning it clockwise and then completely drain the water from the water tank
- 2 Remove the screen filter by turning it anti-clockwise.
- 3 After cleaning the water pipe filter, reassemble it by turning it clockwise.
- 4 Open the water feed valve by turning it anti-clockwise.



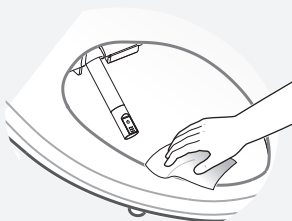
Cleaning of Nozzle

- 1 Press the Wash button on the side control panel for 3 seconds, and then the nozzle will move forward and stop (for 2 minutes)
- 2 Clean the nozzle with a unused toothbrush, etc., and press the STOP button, then it will return to the original place for self cleaning.



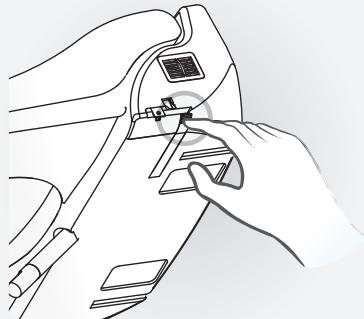
Cleaning of Bidet Body

- 1 Exterior surface of bidet is made of plastic material, which may be damaged by scrubber, chemicals, etc.
- 2 Wipe the surface with a soft cloth wet and squeezed completely. Don't spray water directly onto the surface with the bath-use shower device.
- 3 Clean the body after removing the power plug from the outlet. Be sure no water splash to the power plug or outlet.
- 4 Don't touch the power outlet with wet hand. Risk of electric shock.



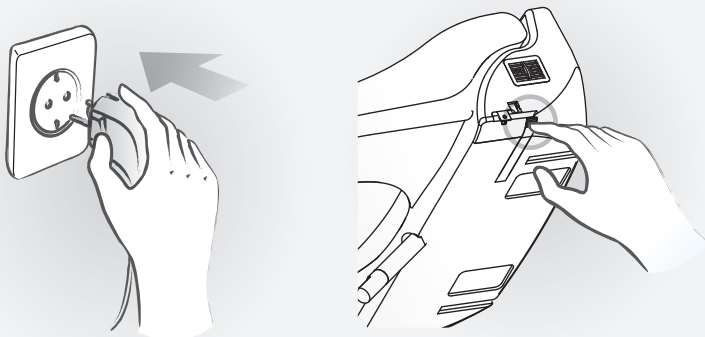
Drainage of Hot Water Tank

- 1 Remove the power plug from the outlet.
- 2 Close the water feed valve by turning it anti-clockwise.
- 3 Press the button on the side of main body.



Maintenance during winter season

- 1 Insert the power plug into the outlet and be sure if the power is supplied.
- 2 When it is not used for a long time, drain the water from the water tank

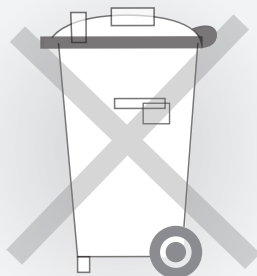


Do not throw away

We are committed to protection the environment.

Please help us by disposing of this product in a responsible way when it reaches the end of its service life, to prevent certain substances contained in electric and electronic products from harming public health or the environment. The symbol means that the products must not be thrown away with other household waste: at the end of its service life, it must be taken at no charge to you to the waste-collection centers provided for the purpose by the authorities in your country.

Or to be distributor from whom you purchase a new product that is equivalent to or that performs the same functions as this product. This latter option may not be available in some countries.



10. Before requesting repair

※ Please check the following points before requesting the repair of the product.

Signs to occur	Matters to be checked
Completely out of operation	<ul style="list-style-type: none"> • Check if the power plug is not connected. • Check the power failure.
Water does not spray out	<ul style="list-style-type: none"> • Check if the water supply is suspended. • Check if water feed valve is locked • Check if nozzle is blocked by foreign material • Check if connection hose is bent
Water pressure is low	<ul style="list-style-type: none"> • Check if water pipe filter is blocked by foreign material. • Check if the water pressure is set at too low level
Water is not warm enough	<ul style="list-style-type: none"> • Check if its temperature is set at 'Off' or 'Low'.
Seat is not warm enough	<ul style="list-style-type: none"> • Check if its temperature is set at 'Off' or 'Low'
Enema Wash is not operated	<ul style="list-style-type: none"> • Check if it is set at CHILD mode.

Self-Diagnosis Table

※ When any abnormal phenomenon occurs, please refer to the following table, and inform the exact status at the time of requesting A/S service. It may relieve our countermeasure.

No	Self-Diagnosis Phenomenon	Way of Indication
1	Pump motor disconnected or not inserted	WASH, BIDET, ENEMA WASH are out of operation
2	Pump motor short-circuited	
3	Deodorizing motor: Check the cycle of rotation at low speed	Buzzer sounds. Abnormal condition is differently indicated by symptoms
4	Stoppage of motor due to the over-current of deodorization motor	
5	Heat stops in case of low speed rotation of drying motor	
6	Heater and drying motor simultaneously stop in case of the over-current of drying motor.	

DIAMOND

11. Product Specifications

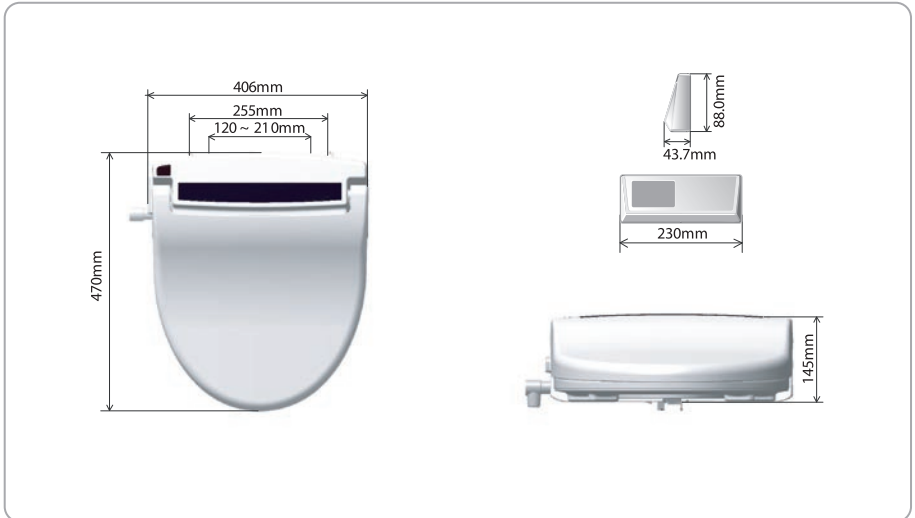
Item		DIB-1500R	
Rated Voltage		AC 220V~240V,50Hz	
Max. Consumption Power		1670W	
Power Cord Length		1.8M	
Water Feed Method		Directly Connected to Water Pipe	
Water Pressure		0,7~7,5kgf/cm ²	
Wash	Feeding Volume	Wash	0,7ℓ/min
		Bidet	0,7ℓ/min
		Enema Wash	0,7ℓ/min
	Water Pressure Control		5-Step Control
	Temp. Control		Room Temp. ~ 38ℓC
	Heater Capa.		1600W
	Safety Device		Temp. Fuse, Thermo Switch
Heated Seat	Temp. Control		Room Temp. ~ 42ℓC
	Heater Capa.		55W
	Safety Device		Temp. Fuse
Dry	Temp. Control		Room Temp. ~ 50ℓC
	Heater Capa.		250W
	Safety Device		Temp. Fuse, Bi-metal
Deodorization		Catalytic Deodorization	
Product Dimension	elongated	406mm X 528mm X 145mm	
	round front	406mm X 470mm X 145mm	
Product Weight	elongated	4.7kg (gross packed weight 7.7kg)	
	round front	4.5kg (gross packed weight 7.5kg)	

12. Comparison Chart

	Division	DIAMOND
Wash/Dry Function	Wash	●
	Bidet	●
	Enema Wash	●
	Dry	●
	Deodorization	●
	Bubble Wash	●
	Continuous Warm Water Supply	●
Convenient /Comfort Function	Automatic Energy Saving	●
	Learning Energy Saving	●
	Massage	●
	Pulse	●
	Remote control unit	●
	Warm Seat	●
	Soft Lid	●
	Detachable Main Body	●
	Child	●

■ Dimension diagrams

(mm)



13. Warranty Information

- WARRANTY-

1. We hereby guarantee the product as follow in accordance with the regulation of consumer damage compensation.
2. In case of failure of the product, please inform the distributor where you purchased the product.
3. Product warranty will be effective for 5 years since the product has been discontinued.

Product Name		Warranty Period
Model Name		One (1) year since the date purchased
Date Purchased		
SER. No.		
Customer's Address	Name	
	Tel.No	
Distributor's Address	Name	
	Tel.No.	

Regarding Product Warranty Regulation...

1. We will repair the product at free of charge in case it was failed under the normal operating condition in accordance with the user's guide during the warranty period.
2. Although it is within the warranty period, we will charge the repair service fee etc. (repair + product + travel expense) if it falls under the following cases.

Voiding warranty

1. Defects occurred from the user's careless handling
2. Defects occurred from the usage with incorrect power voltage (E.g., 220V was used to the 110V product.)
3. Defects occurred from the improper repair done by the person other than our service engineer.
4. Defects occurred from Force Majeure (fire, salt, flood, etc.)
5. Failure or damage due to the drop, etc. (user's mis-handling) during the operation after installed
6. Defect occurred from the interior modification at user's discretion
7. In case the life cycle of the part expired

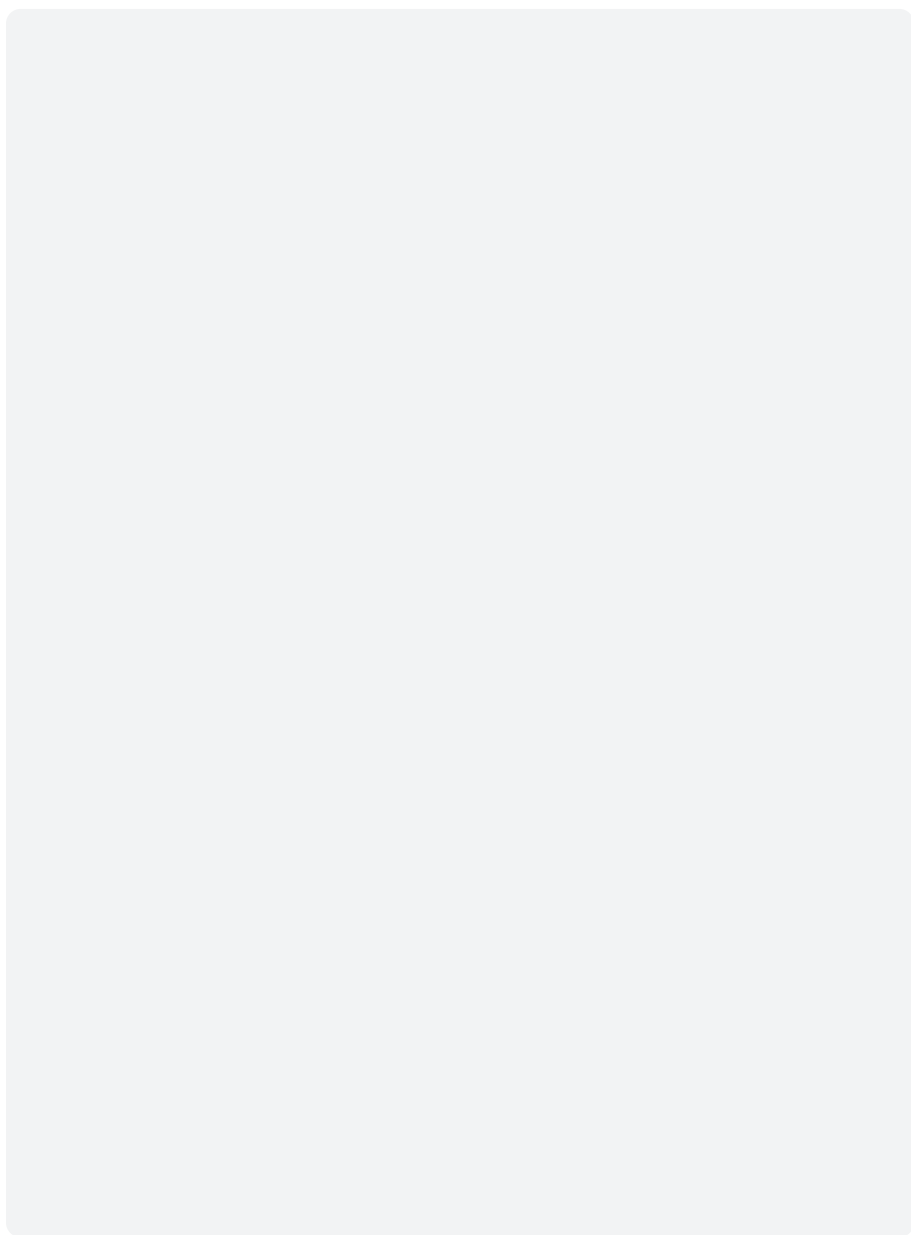
Mail, email or fax the warranty form to:

YOUR LOCAL DEALER FIRST where you bought this appliance

If your dealer is unable to assist you

	Hermelijnskoog 23 1822 CA Alkmaar, The Netherlands
	Tel: (+31) (0)900-SPATOILET (772864538)
	Tel: (+31) (0)72-5629269 Fax: (+31) (0)72-5743556
	www.spatoilet.com

.Memo



Memo

DIAMOND



Best choice for better life with SPATOILET®
www.spatoilet.com